

1 2 3 4 5 6

A

B

C

D

complete length when assembled app. 49mm

contact face based on
IEC 61076-2-101

A (2:1)

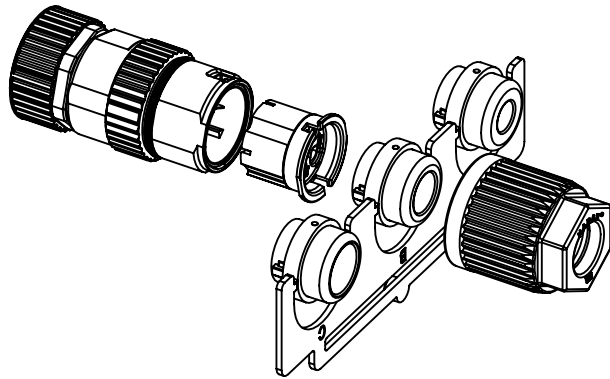
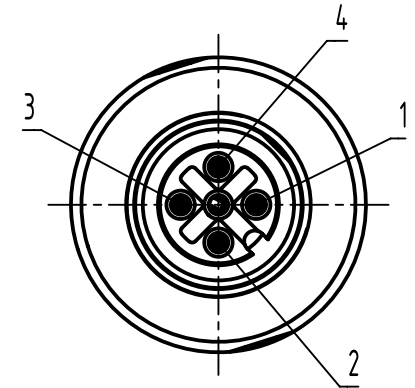
A

$\varnothing 19,5$

M12x1

width across flats 17
SW17

width across flats 15
SW15



cable outside diameter	conductor cross section
4,5mm - 8,8mm	AWG26 - AWG22 0,14mm ² - 0,34mm ²

	All rights reserved Department EL PD	All Dimensions in mm Original Size DIN A4		Scale 1:1	Free size tol.	Ref. Sub.
		HARTING D-32339 Espelkamp	Created by HASSE	Inspected by 104.122	Standardisation	Date 2021-12-15
Title M12-L-CC-IDC-4P-ACOD-F-STR-SHLD					Doc-Key / ECM-Nr. 100197033/UGD/004/K 500000207119	
Type TB			Number 21032212405		Rev. K	Page 1/1